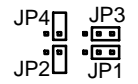
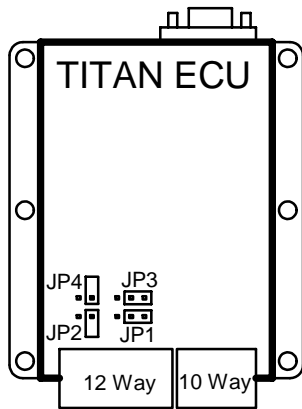


TITAN ECU Jumper Settings

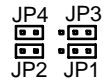
Harness Required: E01 Ver 1.1 & E02 Ver 1.1

Last Changed: 14/08/2009

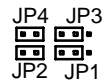
Drawing Ver: 1.1



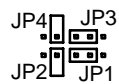
Magnetic
2K2 Filter Off



Magnetic
2K2 Filter On



Hall / Optic
2K2 Pull-Up On



Hall / Optic
2K2 Pull-Up Off